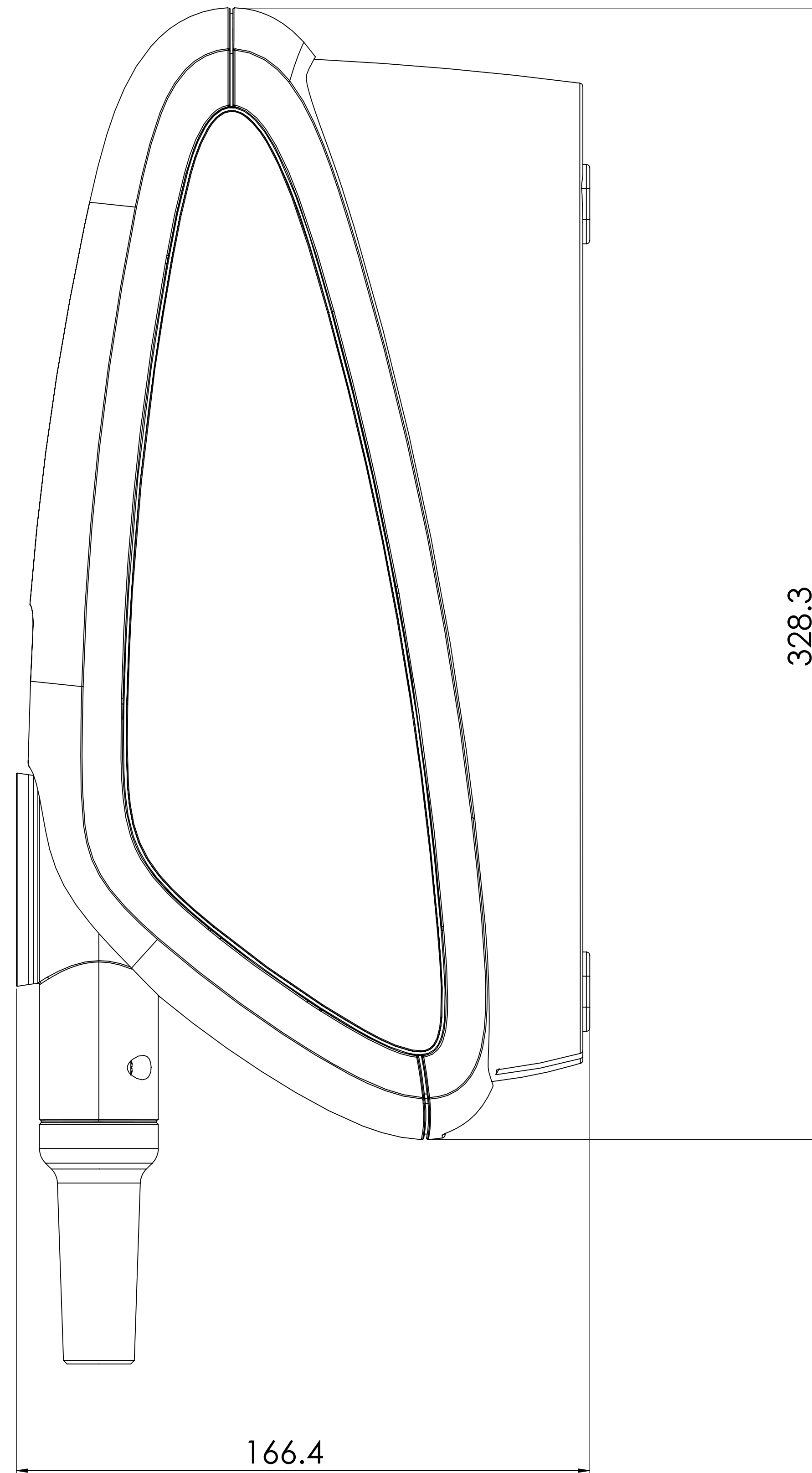
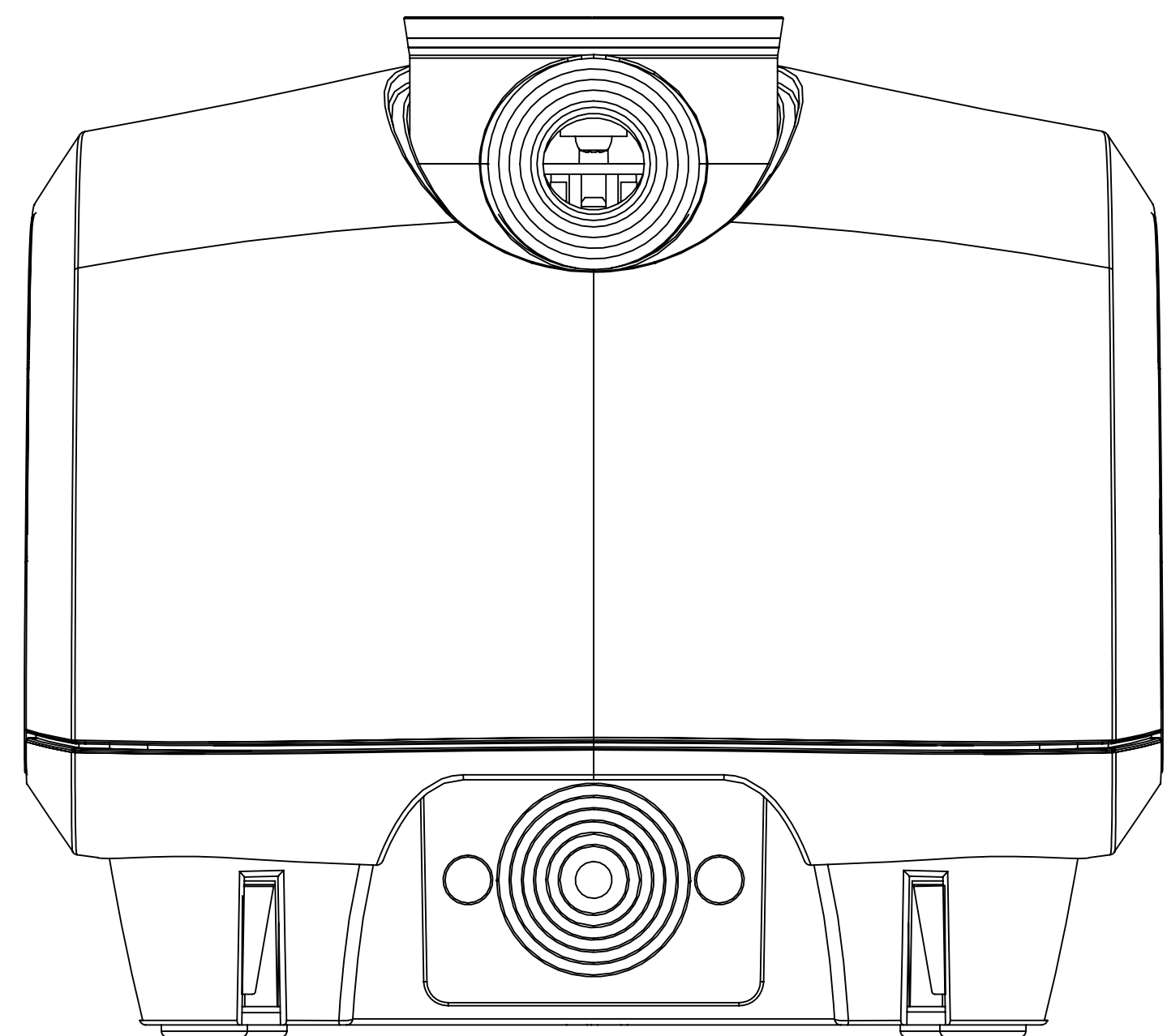
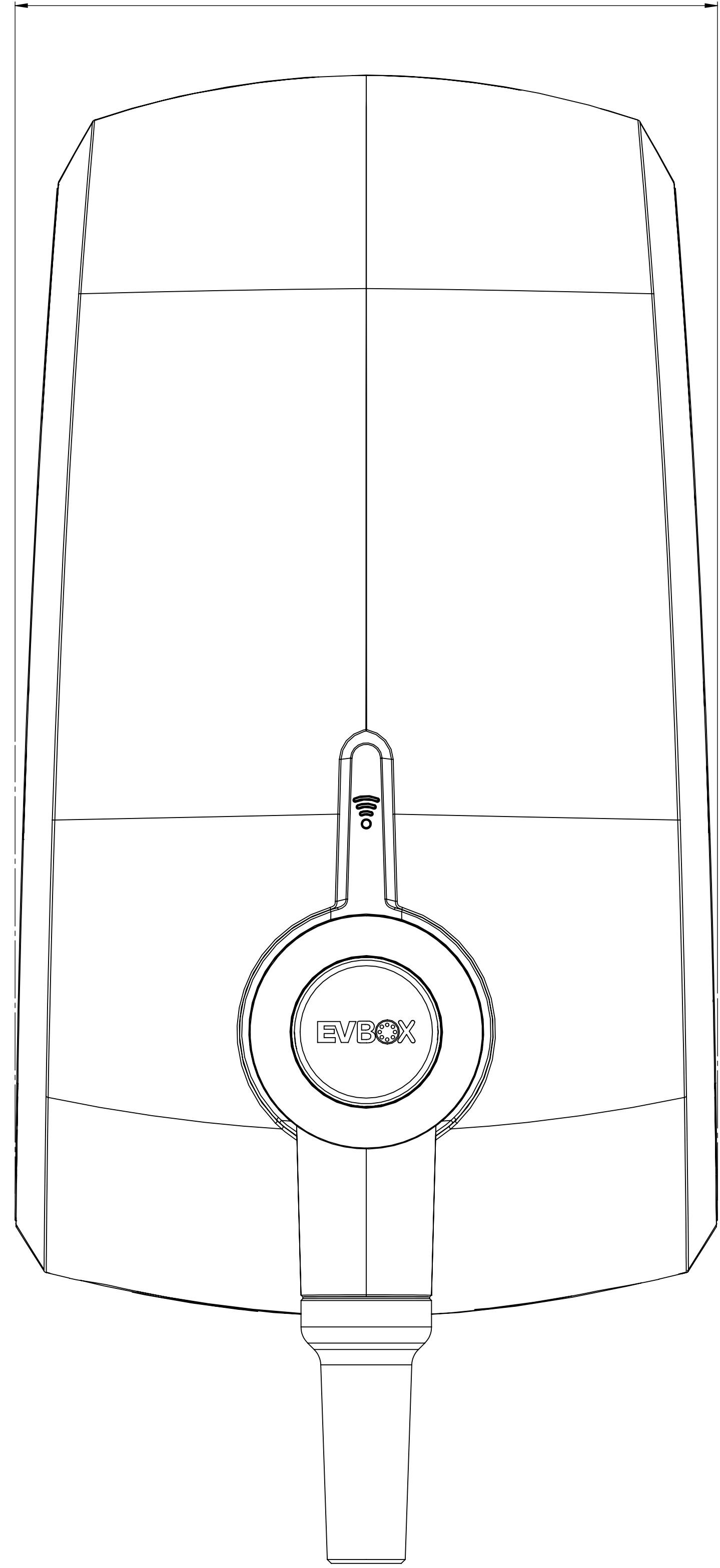


186



328.3

166.4

EVBOX	Final Dimensional 11/15/2024 100% CE American The EVBOX logo is a registered trademark of EVBOX Inc.	
	Scale: 1:1	
	Units: mm	
	American projection	
	Size	
	A0	
		Revision: A