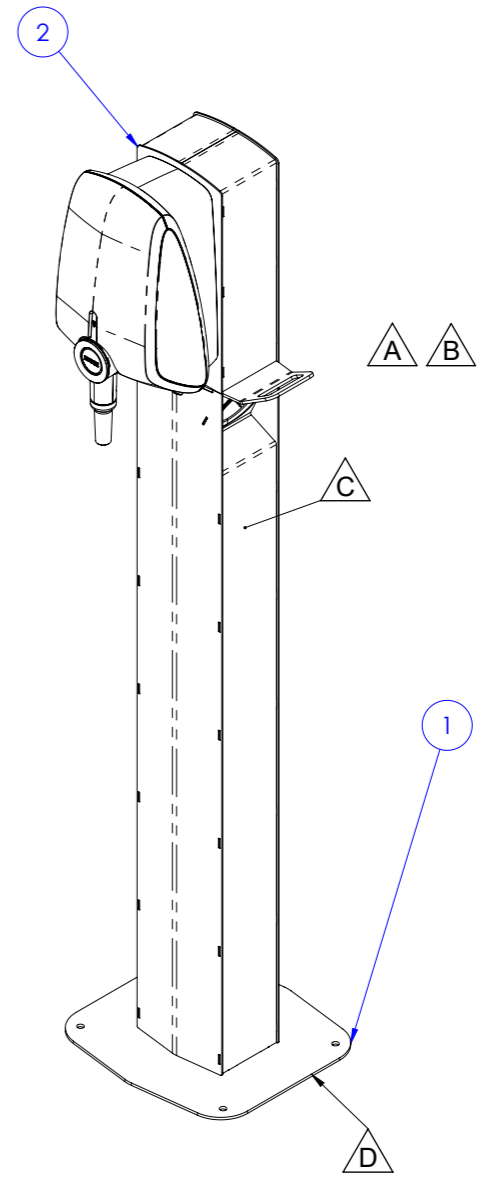
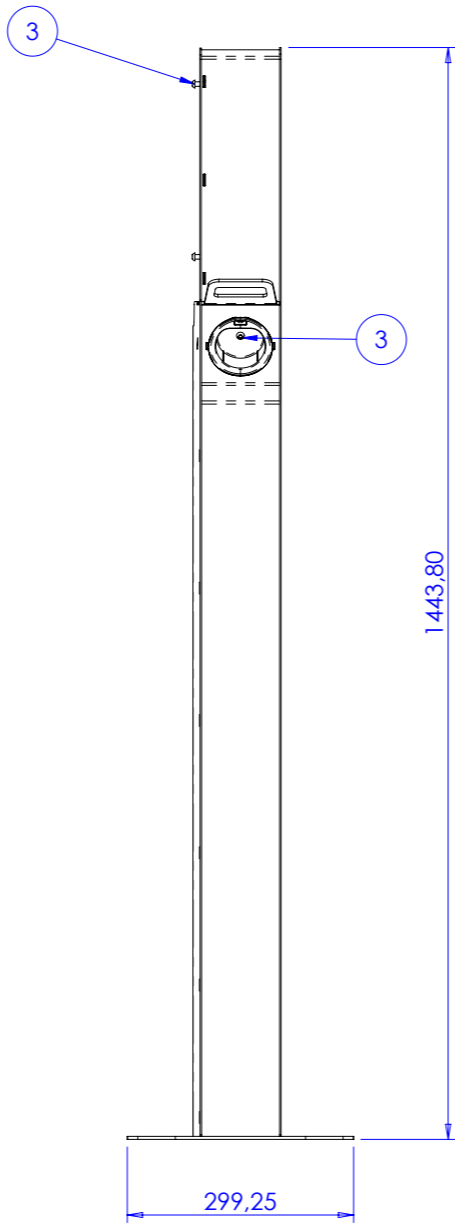
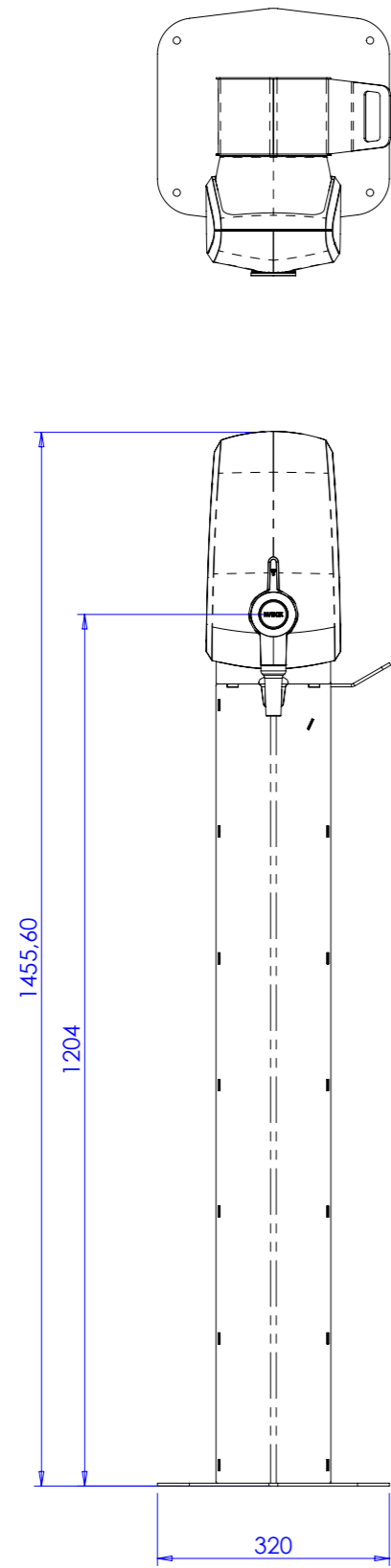


THIS DOCUMENT REMAINS PROPERTY OF ITEQ ENGINEERING B.V. NO PARTS OF THIS DOCUMENT MAY BE REPRODUCED OR TRANSMITTED IN ANY FORM OR BY ANY MEANS, ELECTRONIC OR MECHANIC (INCLUDING PHOTOCOPYING), FOR ANY PURPOSE WITHOUT THE WRITTEN CONSENT OF ITEQ ENGINEERING B.V.



REVISIONS			
REV.	DESCRIPTION	DATE	APPROVED
A	Pole changed after review	30-1-2018	TR
B	Pole changed after intern review	14-3-2018	TR
C	Part IEP-020644 changed	4-5-2018	TR
D	Part IEP-020695 changed	22-5-2018	TR

UNSPECIFIED TOLERANCES ACC TO: ISO 2768 - M

Limits for linear measures								
From	0.5	3	6	30	120	400	1000	2000
Up to	3	6	30	120	400	1000	2000	4000
F (fine)	± 0.05	± 0.05	± 0.1	± 0.15	± 0.2	± 0.3	± 0.5	-
M (medium)	± 0.1	± 0.1	± 0.2	± 0.3	± 0.5	± 0.8	± 1.2	± 2
C (coarse)	± 0.15	± 0.2	± 0.5	± 0.8	± 1.2	± 2	± 3	± 4
V (very coarse)	-	± 0.5	± 1	± 1.5	± 2.5	± 4	± 6	± 8

Limits for angular dimensions					
From	0	10	50	120	400
Up to	10	50	120	400	--
F (fine)	± 1'	± 30'	± 20'	± 10'	± 5'
M (medium)	± 1'	± 30'	± 20'	± 10'	± 5'
C (coarse)	± 1'30"	± 1'	± 30'	± 15'	± 10'
V (very coarse)	± 3'	± 2'	± 1'	± 30'	± 20'

IT.	QTY	PART NUMBER	REV	DESCRIPTION	CATEGORY	MATERIAL
1	1	IEA-005006	D	WELD ASSY - E-BOX COLUMN	Welding part / assy	-
2	1	IEP-020648	B	PLATE	Sheetmetal part / assy	RVS 304 1.4301 EN1088-2
3	5	M6	-	M6 hexalobular socket button head - Fabory - 51029060022	Purchasing part	RVS 304 1.4301 EN1088-2

THIRD ANGLE PROJECTION

e_box.com
support@e_box.com

DESCRIPTION:
MAIN ASSY - ELVI-POLE

SURFACE: 3.02 M² WEIGHT: 17.04 KG UNITS:MM

DRAWING NR.:
IEA-005010

CUSTOMER REF.:
D

SCALE:1:10 PAGE 1 OF 1 PAPER SIZE: A3